



ADATA Industrial & Embedded Solutions

M.2 SSD

ADATA IM2S3338 M.2 2280 solid state drives utilize 3D NAND flash, providing higher storage density up to 1TB, power efficiency and rugged reliability. Its read/write speed is up to 560/520MB per second. With support of LDPC ECC technology, SLC Caching and DRAM cache buffer, the IM2S3338 ensures data integrity and maintains high performance. All IM2S3338 models are compliant with JEDEC specifications and feature a low-power design intended for industrial applications which leverages ADATA proprietary A+ Testing Methodology. This ensures the drives meet the exacting requirements of industrial applications. For SSD quality, compatibility, and reliability, ADATA developed its own SSD validation process, covering functionality testing and reliability assurance. Furthermore, value-added ADATA SSD Toolbox software provides intuitive SSD management, S.M.A.R.T. data integrity, and system optimization, helping enhance industrial systems.

Key Features

- P/E cycle upgrade to 3K – improved endurance and reliability
- 3D NAND Flash for higher capacity and durability
- High capacity up to 1TB
- Wide Temperature Support: -40°C to 85°C
- Supports LDPC ECC Technology
- Supports S.M.A.R.T., NCQ and TRIM Command
- Supports TCG Opal



Target Applications

Server, Data Center, Surveillance, Transportation, Notebooks, Desktops

30µ Golden Finger	Anti-Sulfur Resistor	Conformal Coating	Wide Temperature	EDS & EMI Safe	Shock & Vibration Resistant	Lifetime Monitoring (LTM)	Wear Leveling	Secure Erase	TRIM	Low Power Consumption
●	●	—	●	●	●	●	●	●	●	●

● Supported

Specifications

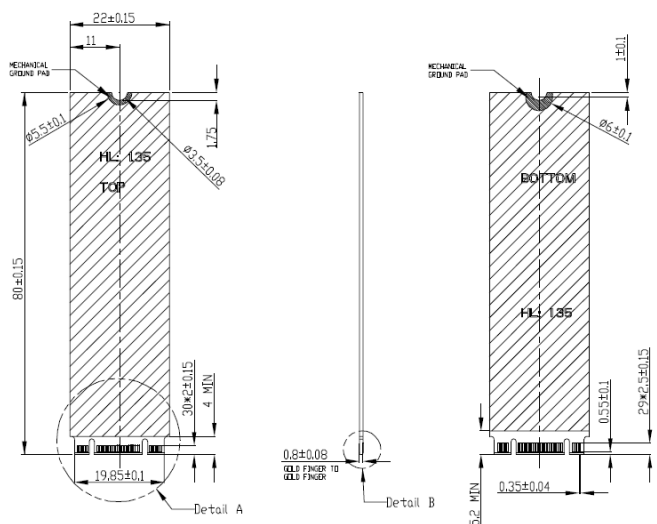
Model	IM2S3338
Interface	SATA III 6.0Gbps
Form Factor	M.2 2280
Dimensions (L x W x H)	80 x 22 x 3.5mm
Flash Type	3D TLC
Capacity	64GB – 1TB
Sequential Read (Max.)	560MB/s
Sequential Write (Max.)	520MB/s
Operating Temperature (Commercial)	0°C to 70°C
Operating Temperature (Industrial)	-40°C to 85°C
Operating Voltage	3.3V
Operating Humidity	5%-95% RH non-condensing
Power Consumption (Max.)	2.31W
MTBF (Est.)	>2,000,000 hours
Shock Resistance	1500G/0.5ms, Half Sine Wave
Vibration Resistance	20G (10-2000Hz)
Technologies	DEVSLP, LDPC ECC, SLC Cache, DRAM Buffer, Data Shaping, TCG Opal

Ordering Information

Capacity	Commercial (0°C to 70°C)	Industrial (-40°C to 85°C)
64GB	IM2S3338-064GD	IM2S3338-064GP
128GB	IM2S3338-128GD	IM2S3338-128GP
256GB	IM2S3338-256GD	IM2S3338-256GP
512GB	IM2S3338-512GD	IM2S3338-512GP
1TB	IM2S3338-001TD	IM2S3338-001TP



Dimensions



ADATA Technology
 2F, No. 258, Liancheng Rd., Zhonghe Dist.,
 New Taipei City 235, Taiwan